

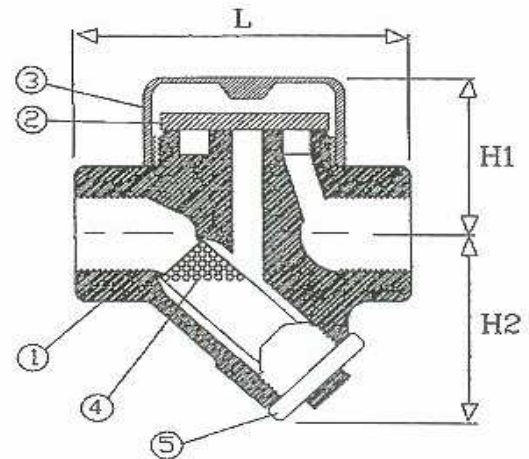
**ST** STONETOWN CORP.

**MODEL: TL-63SS**

STEAM TRAP SCREWED ENDS

MATERIAL : CF8M PN40 , ANSI - 600LB

SIZE : 3/8" THRU 1"



**• MATERIAL LIST**

	NAME	ASTM
1	BADY	A351-CF8M
2	DISC	SUS 420
3	DAP	A351-CF8M
4	SCREEN	SUS 304
5	STRAINER CAP	A351-CF8M

**• DIMENSION LIST**

SIZE	3/8"	1/2"	3/4"	1"
L	78	78	88	98
H1	46	46	49	51
H2	53	53	57	63
KG	1	1	1.1	1.4

**CAPACITY**

	Kg/h			
SIZE	3/8"	1/2"	3/4"	1"
1 kg	150	190	290	450
2 kg	180	220	360	510
3 kg	200	250	400	720
4 kg	210	270	440	780
5 kg	220	295	460	850
7 kg	260	320	500	980
10 kg	290	350	530	1100
12 kg	320	380	560	1160
16 kg	460	530	850	1190
20 kg	510	570	880	1250
32 kg	570	600	930	1350
35 kg	600	620	950	1460
40 kg	650	690	980	1600